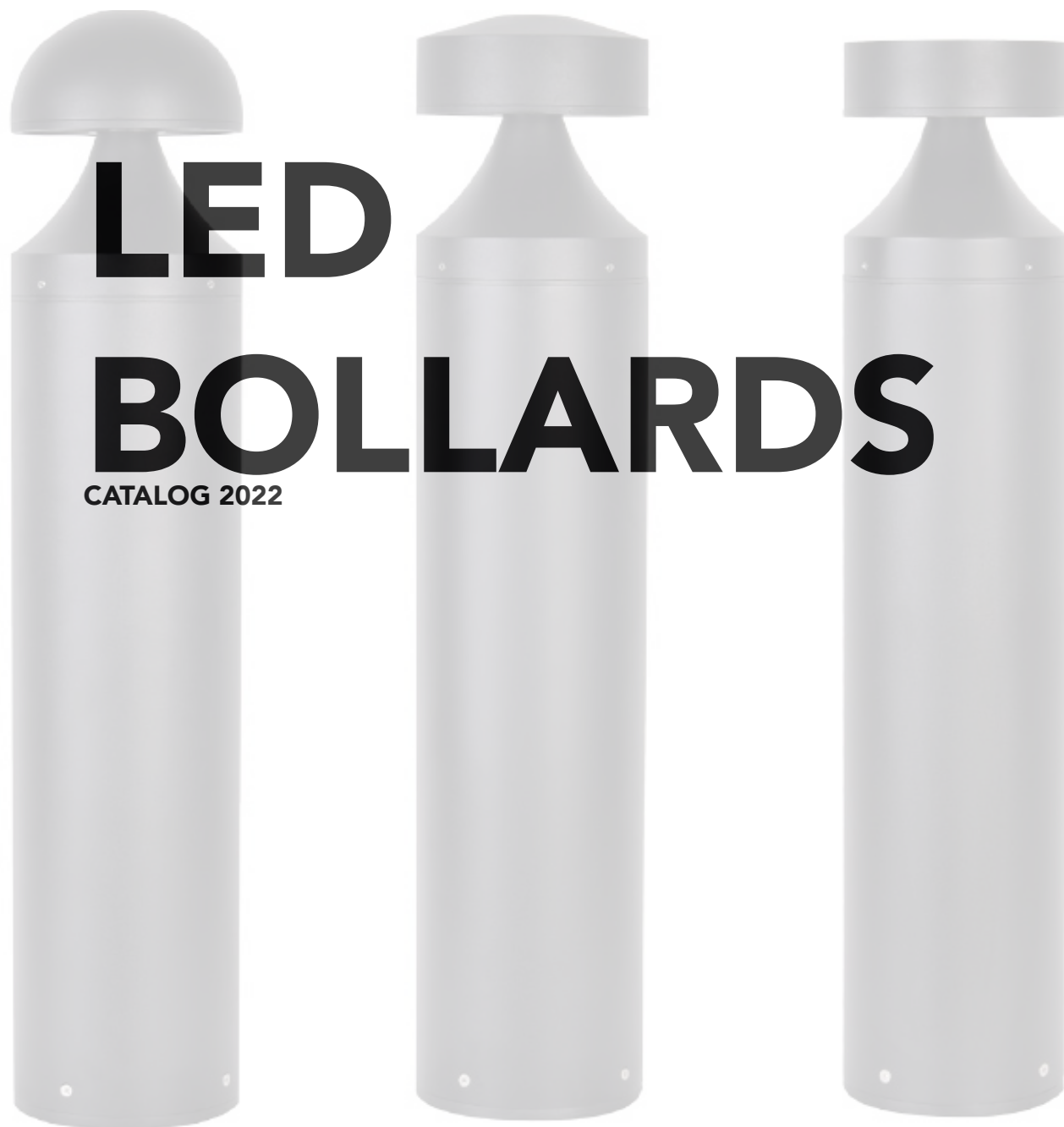


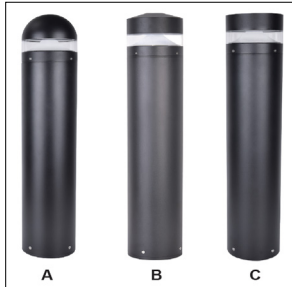
LED BOLLARDS are a type of lighting fixture that is commonly used to illuminate pathways and landscapes for pedestrian use and safety. This type of exterior lighting is generally used to provide illumination to ground areas frequented by vehicles and pedestrians in gardens, public places, public and private parks, ...



LED BOLLARDS

CATALOG 2022

LB028



- * Main body is made of Die-casting alloy with extruded aluminum alloy
- * The diffuser is clear anti-UV injection polycarbonate for high efficiency and vandal resistance
- * With anti-glare plate
- * Lumileds 2835/3030 led chip and Tridonic driver as regular. Sosen, Meanwell, Osram as options
- * Easy access to LED and driver via a removable head
- * 2700-6500K colour temperature options
- * Anti-UV electrostatic powder spraying, regular clors: Black , Silver RAL7043, RAL7016
- * Ip65 rating , water and rust proof protection
- * CRI>80
- * IK08 rating housing protection
- * Warranty 3 years

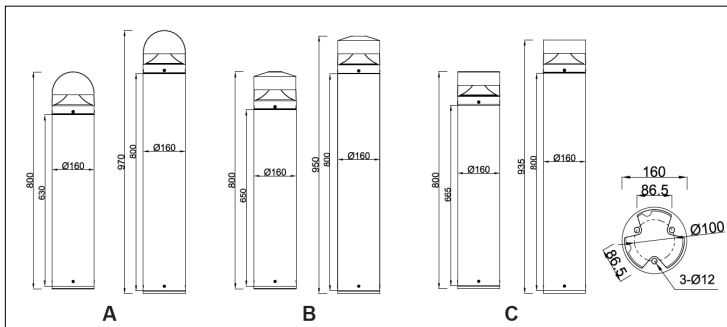


100/277V
AC

Technical Data / Datos técnicos

Model	Rated Power	Chip	CCT	Efficiency	Input Voltage
LB028-10	10W	Lumileds 2835	2700-6500K	750lm	100-277V
LB028-14	14W	Lumileds 2835	2700-6500K	1025lm	100-277V
LB028-20	20W	Lumileds 2835	2700-6500K	1391lm	100-277V
LB028-24	24W	Lumileds 2835	2700-6500K	1688lm	100-277V
LB028-30	30W	Lumileds 3030	2700-6500K	2088lm	100-277V

Measure / Medidas



Application / Aplicaciones

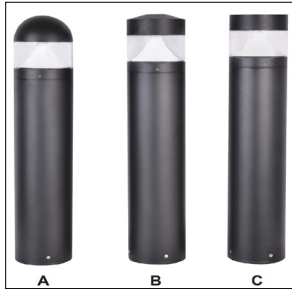


Application / Aplicaciones

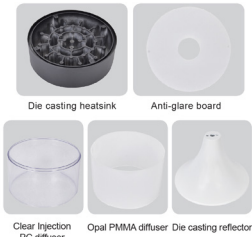


nelux (HK) international,ltd

LB029



- * Main body is made of Die-casting alloy with extruded aluminum alloy
- * The diffuser is clear anti-UV injection polycarbonate for high efficiency and vandal resistance
- * With anti-glare plate
- * Lumileds 2835/3030 led chip and Tridonic driver as regular. Sosen, Meanwell, Osram as options
- * Easy access to LED and driver via a removable head
- * 2700-6500K colour temperature options
- * Anti-UV electrostatic powder spraying, regular clors: Black , Silver RAL7043, RAL7016
- * Ip65 rating , water and rust proof protection
- * CRI>80
- * IK08 rating housing protection
- * Warranty 3 years

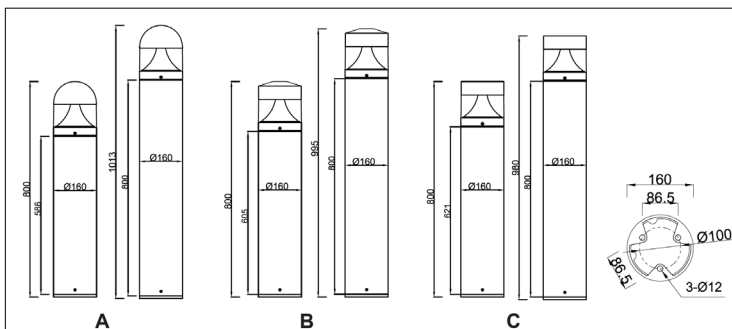


100/277V
AC

Technical Data / Datos técnicos

Model	Rated Power	Chip	CCT	Efficiency	Input Voltage
LB029-10	10W	Lumileds 2835	2700-6500K	750lm	100-277V
LB029-14	14W	Lumileds 2835	2700-6500K	1055lm	100-277V
LB029-20	20W	Lumileds 2835	2700-6500K	1463lm	100-277V
LB029-24	24W	Lumileds 2835	2700-6500K	1672lm	100-277V
LB029-30	30W	Lumileds 3030	2700-6500K	2070lm	100-277V

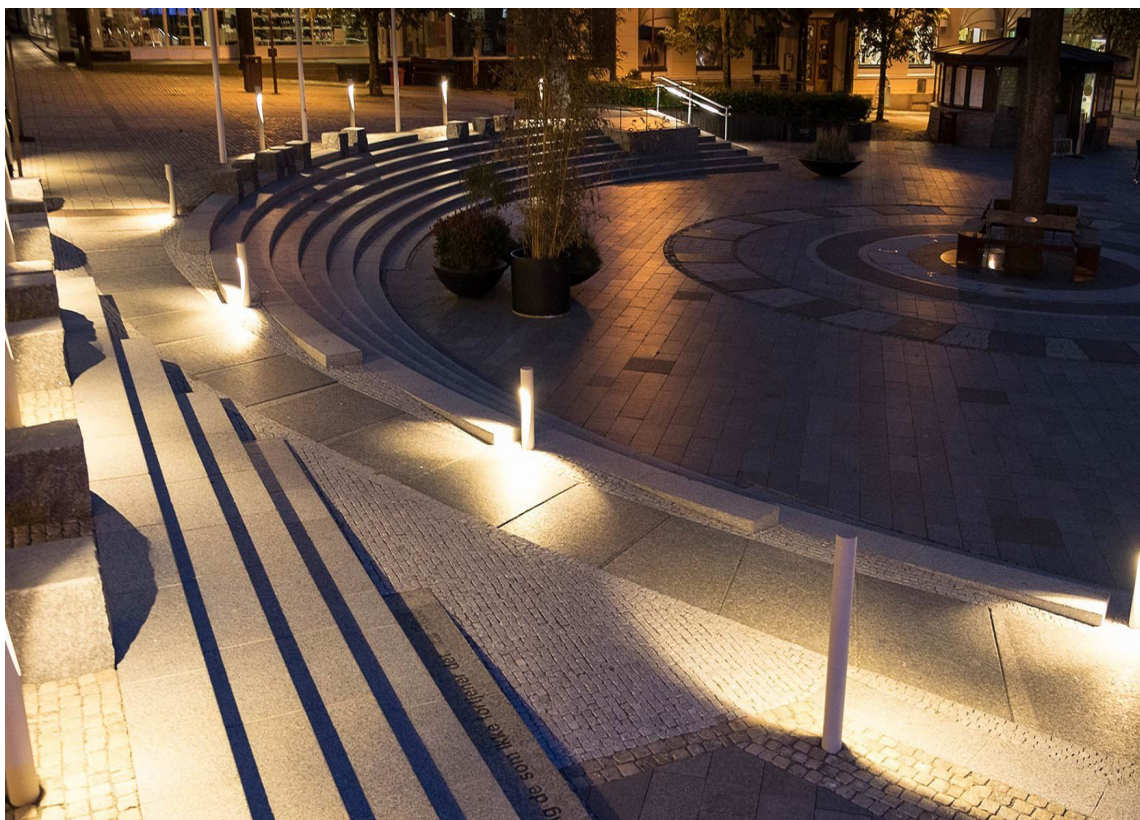
Measure / Medidas



Application / Aplicaciones



Application / Aplicaciones



nelux (HK) international,ltd

LB032



- * Main body is made of Die-casting alloy with extruded aluminum alloy
- * The diffuser is clear anti-UV injection polycarbonate for high efficiency and vandal resistance
- * With anti-glare plate
- * Lumileds 2835/3030 led chip and Tridonic driver as regular. Sosen, Meanwell, Osram as options
- * Easy access to LED and driver via a removable head
- * 2700-6500K colour temperature options
- * Anti-UV electrostatic powder spraying, regular clors: Black , Silver RAL7043, RAL7016
- * Ip65 rating , water and rust proof protection
- * CRI>80
- * IK08 rating housing protection
- * Warranty 3 years

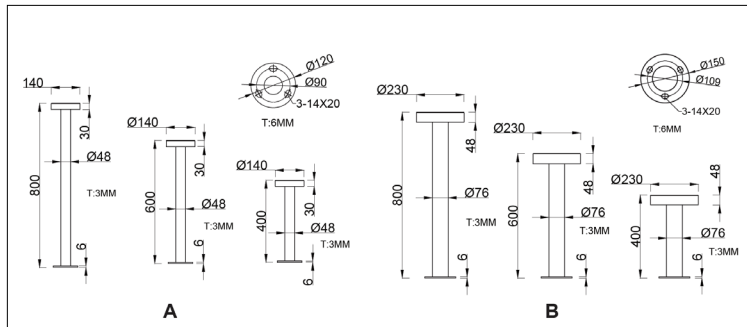


100/277V
AC

Technical Data / Datos técnicos

Model	Rated Power	Chip	CCT	Efficiency	Input Voltage
LB032A-10	10W	Lumileds 2835	2700-6500K	663lm	100-277V
LB032B-10	10W	Lumileds 2835	2700-6500K	811lm	100-277V
LB032B-14	14W	Lumileds 2835	2700-6500K	1091lm	100-277V
LB032B-20	20W	Lumileds 2835	2700-6500K	1498lm	100-277V
LB032B-24	24W	Lumileds 2835	2700-6500K	1753lm	100-277V
LB032B-30	30W	Lumileds 2835	2700-6500K	2091lm	100-277V

Measure / Medidas



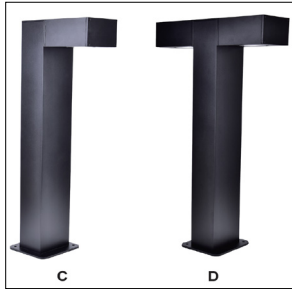
Application / Aplicaciones



Application / Aplicaciones



LB039



- * Main body is made of Die-casting alloy with extruded aluminum alloy
- * The diffuser is clear anti-UV injection polycarbonate for high efficiency and vandal resistance
- * Lumileds 3030 led chip and Tridonic driver as regular. Sosen, Meanwell, Osram as options
- * Easy access to LED and driver via a removable head
- * 2700-6500K colour temperature options
- * Anti-UV electrostatic powder spraying, regular clors: Black , Silver RAL7043, RAL7016
- * Ip65 rating , water and rust proof protection
- * CRI>80
- * IK08 rating housing protection
- * Warranty 3 years

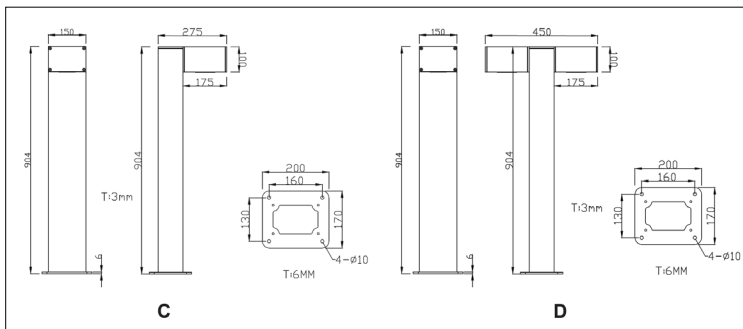


100/277V
AC

Technical Data / Datos técnicos

Model	Rated Power	Chip	CCT	Efficiency	Input Voltage
LB039C-10	10W	Lumileds 2835	2700-6500K	1050lm	100-277V
LB039C-20	20W	Lumileds 2835	2700-6500K	2100lm	100-277V
LB039C-25	25W	Lumileds 2835	2700-6500K	2696lm	100-277V
LB039D-20	20W	Lumileds 2835	2700-6500K	2520lm	100-277V
LB039D-24	25W	Lumileds 2835	2700-6500K	3235lm	100-277V

Measure / Medidas



Application / Aplicaciones



Application / Aplicaciones



LB048



- * Main body is made of extruded aluminum alloy
- * The diffuser is clear anti-UV injection polycarbonate for high efficiency and vandal resistance
- * CREE COB led chip and Tridonic driver as regular. Sosen, Meanwell, Osram as options
- * Easy access to LED and driver
- * 2700-6500K colour temperature options
- * Anti-UV electrostatic powder spraying, regular clors: Black , Silver RAL7043, RAL7016
- * Ip65 rating , water and rust proof protection
- * CRI>80
- * IK08 rating housing protection
- * Warranty 3 years



LED part



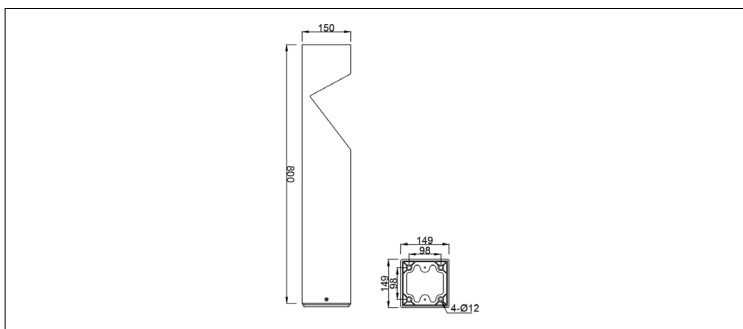
Base

100/277V
AC

Technical Data / Datos técnicos

Model	Rated Power	Chip	CCT	Efficiency	Input Voltage
LB048-10	10W	Cree COB	2700-6500K	617lm	100-277V
LB048-14	14W	Cree COB	2700-6500K	910lm	100-277V

Measure / Medidas



Application / Aplicaciones

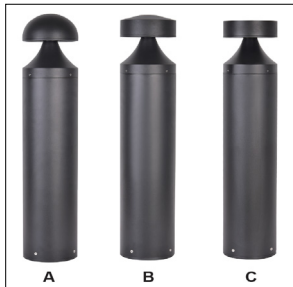


Application / Aplicaciones

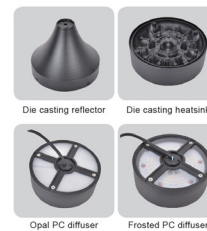


nelux (HK) international,ltd

LB049



* Main body is made of Die-casting alloy with extruded aluminum alloy
 * The diffuser is clear anti-UV injection polycarbonate for high efficiency and vandal resistance
 * Lumileds 2835/3030 led chip and Tridonic driver as regular. Sosen, Meanwell, Osram as options
 * Easy access to LED and driver via a removable head
 * 2700-6500K colour temperature options
 * Anti-UV electrostatic powder spraying, regular clors: Black , Silver RAL7043, RAL7016
 * Ip65 rating , water and rust proof protection
 * CRI>80
 * IK08 rating housing protection
 * Warranty 3 years

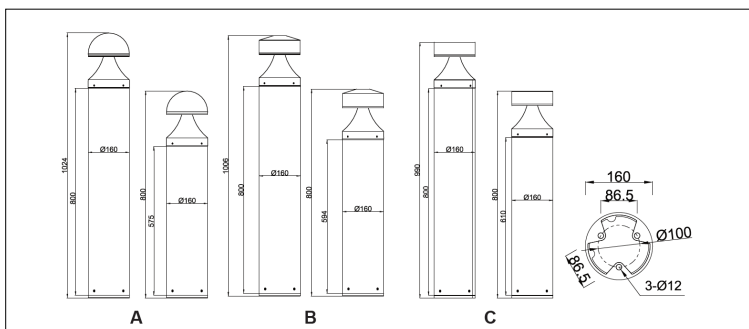


100/277V
AC

Technical Data / Datos técnicos

Model	Rated Power	Chip	CCT	Efficiency	Input Voltage
LB049-10	10W	Lumileds 2835	2700-6500K	450lm	100-277V
LB049-14	14W	Lumileds 2835	2700-6500K	630lm	100-277V
LB049-20	20W	Lumileds 2835	2700-6500K	829lm	100-277V
LB049-24	24W	Lumileds 2835	2700-6500K	983lm	100-277V
LB049-30	30W	Lumileds 3030	2700-6500K	1243lm	100-277V

Measure / Medidas



Application / Aplicaciones

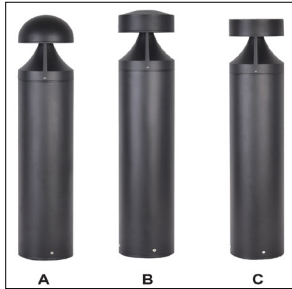


Application / Aplicaciones

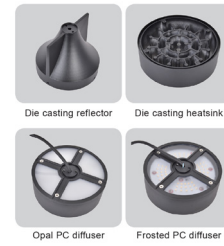


nelux (HK) international,ltd

LB050



- * Main body is made of Die-casting alloy with extruded aluminum alloy
- * The diffuser is clear anti-UV injection polycarbonate for high efficiency and vandal resistance
- * Lumileds 2835/3030 led chip and Tridonic driver as regular. Sosen, Meanwell, Osram as options
- * Easy access to LED and driver via a removable head
- * 2700-6500K colour temperature options
- * Anti-UV electrostatic powder spraying, regular clors: Black , Silver RAL7043, RAL7016
- * Ip65 rating , water and rust proof protection
- * CRI>80
- * IK08 rating housing protection
- * Warranty 3 years

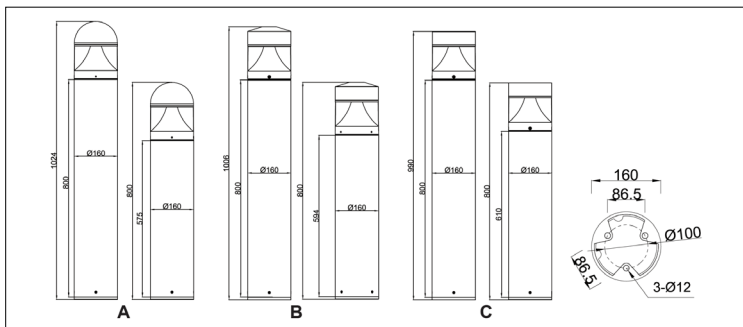


100/277V
AC

Technical Data / Datos técnicos

Model	Rated Power	Chip	CCT	Efficiency	Input Voltage
LB050-10	10W	Lumileds 2835	2700-6500K	450lm	100-277V
LB050-14	14W	Lumileds 2835	2700-6500K	630lm	100-277V
LB050-20	20W	Lumileds 2835	2700-6500K	829lm	100-277V
LB050-24	24W	Lumileds 2835	2700-6500K	983lm	100-277V
LB050-30	30W	Lumileds 3030	2700-6500K	1243lm	100-277V

Measure / Medidas



Application / Aplicaciones



Application / Aplicaciones

