

nelux

batten light



catalog 2017

Batten light

General Product Features

CE, RoHS, SAA, certificates approved

Easy installation, wide beam angle.

3 Years warranty

Non-strobe, non-glare

High lumens CRI >70~80

Efficiency ~90lm/W

Applications

To be used in hotels, underground parking lots, office buildings, shopping malls, bars, corridor, toilets, restaurants, museums, exhibition halls, gate house signs, interior decoration, etc.

Model

ACOR



FORLA



CYGNUS



DURSA



HRUS



BITTO



Experience and Service

25 years of experience in lighting market.

Leading lighting company in HK offering our clients the most competitive price.

ODM or OEM are always welcome.

Strict quality control system, all goods inspected before delivery by professional QC team.

Materials may be modified, developed or updated with out prior notification to improve our product quality

LED batten light

NL-ACOR Batten light



Product specification summary

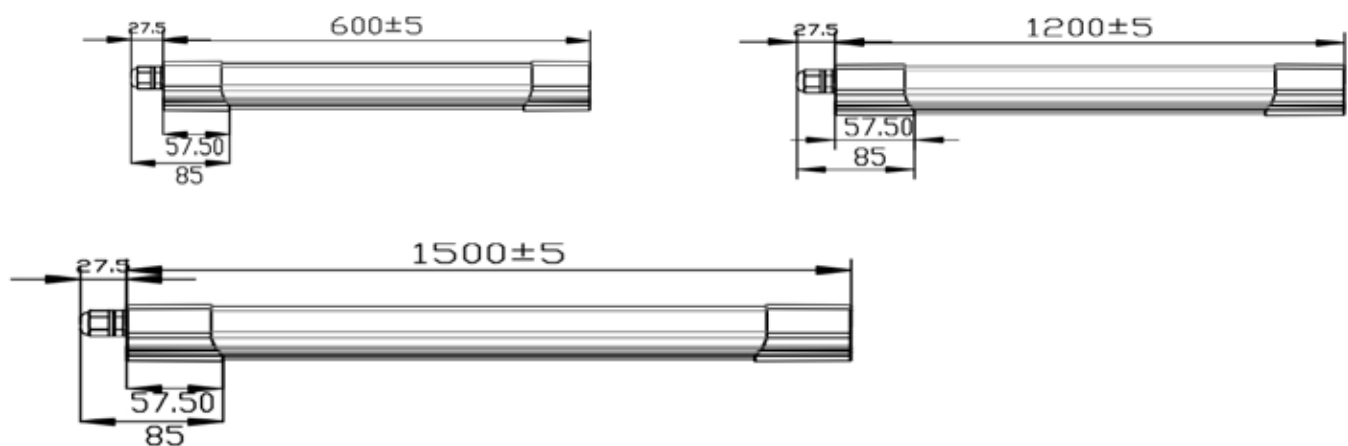
The latest LED batten lighting system broke through the restrict of traditional lighting system, new design bring us free connection and efficient installation. It saves around 40% time during the installation process. Linkable , water-proof, dust-proof and anti-corrosion. Operating temperature -20 ~ +45 Celsius degrees.

Application

Parking lot, Kitchen, bathroom, lift, Office, Supermarket,, ...

Product features

Housing made of high quality PC and PC cover. White colour.High light transmittance PC diffuser specially designed for LED light source creating smooth and uniform lighting distribution.High efficiency SMD LED up to 80lm/W and CRI>80. Protection Class II. Internal IC driver with high power factor >0.90. Beam angle 120°. Non-Dimmable .50,000 hrs life span, 3 years warranty.IP rating IP65. LINKABLE



TECHNICAL DATA	ACOR_18	ACOR_36	ACOR_45
Power	18W	36W	45W
Input Voltage	V100-240AC		
Supply frequency	50hz		
Power factor	>0.9		
Luminous flux	~1620lm	~3240lm	~4050lm
Luminous efficacy	>80lm/W		
Colour Temperature	3000K, 4000K, 6500K		
CRI	Ra>80		
Beam Angle	120°		
LED source	SMD2835		
Dimension (mm)	L620*W53*H53mm	L1240*W53*H53mm	L1540*W53*H53mm

Materials may be modified, developed or updated with out prior notification to improve our product quality

LED batten light

NL-FORLA Batten light



Product specification summary

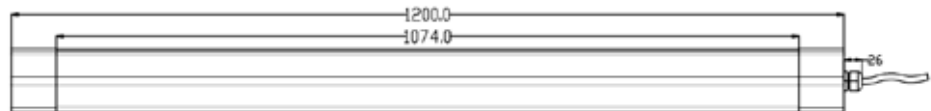
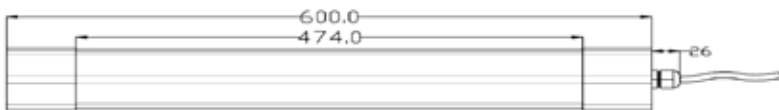
The latest LED batten lighting system broke through the restrict of traditional lighting system, new design bring us free connection and efficient installation. It saves around 40% time during the installation process. Linkable , water-proof, dust-proof and anti-corrosion. Operating temperature -20 ~ +45 Celsius degrees.

Application

Parking lot, Kitchen, bathroom, lift, Office, Supermarket,, ...

Product features

Housing made of high quality PC and PC cover. White colour.High light transmittance PC diffuser specially designed for LED light source creating smooth and uniform lighting distribution.High efficiency SMD LED up to 80m/W and CRI>80. Protection Class II. Internal IC driver with high power factor >0.90. Beam angle 120°. Non-Dimmable .50,000 hrs life span, 3 years warranty.IP rating IP65. LINKABLE.



TECHNICAL DATA	FORLA18	FORLA36
Power	18W	36W
Input Voltage	V100-240AC	
Supply frequency	50hz	
Power factor	>0.9	
Luminous flux	~1760lm	~3520lm
Luminous efficacy	>80lm/W	
Colour Temperature	3000K, 4000K, 6500K	
CRI	Ra>80	
Beam Angle	120°	
LED source	SMD2835	
Dimension (mm)	L600*W83*H50mm	L1200*W83*H50mm

Materials may be modified, developed or updated with out prior notification to improve our product quality

LED batten light

NL-CYGNUS Batten light



ROHS
COMPLIANT



IP20



Product specification summary

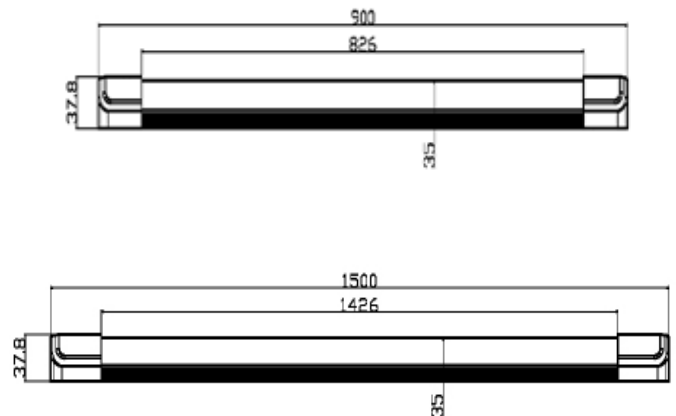
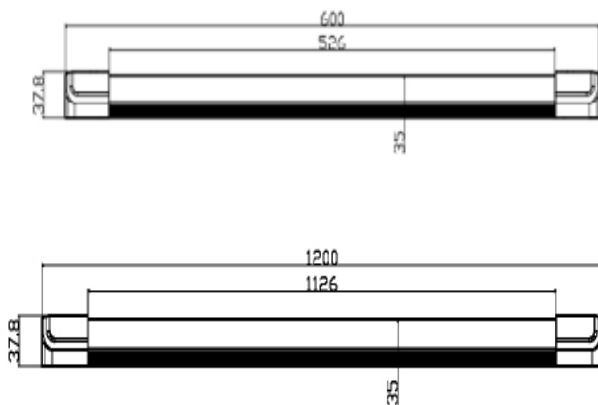
The latest LED batten lighting system broke through the restrict of traditional lighting system, new design bring us free connection and efficient installation. It saves around 40% time during the installation process. Linkable, water-proof, dust-proof and anti-corrosion. Operating temperature -20 ~ +45 Celsius degrees.

Application

Parking lot, Kitchen, bathroom, lift, Office, Supermarket,, ...

Product features

Housing made of high quality PC and PC cover. White colour. High light transmittance PC diffuser specially designed for LED light source creating smooth and uniform lighting distribution. High efficiency SMD LED up to 80m/W and CRI>80. Protection Class II. Internal IC driver with high power factor >0.90. Beam angle 120°. Non-Dimmable .50,000 hrs life span, 3 years warranty. IP rating IP20. NON-LINKABLE



TECHNICAL DATA	CYGNUS_20	CYGNUS_30	CYGNUS_40	CYGNUS_60
Power	20W	30W	40W	60W
Input Voltage	V100-240AC			
Supply frequency	50hz			
Power factor	>0.9			
Luminous flux	~1700lm	~2550lm	~3400lm	~5100lm
Luminous efficacy	>80lm/W			
Colour Temperature	3000K, 4000K, 6500K			
CRI	Ra>80			
Beam Angle	120°			
LED source	SMD2835			
Dimension (mm)	L572*W83*H38mm	L872*W83*H38mm	L1172*W83*H38mm	L1472*W83*H38mm

Materials may be modified, developed or updated with out prior notification to improve our product quality

LED batten light

NL-DURSA Batten light



Product specification summary

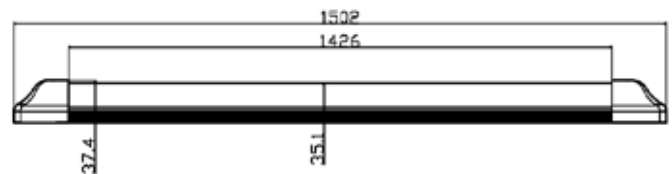
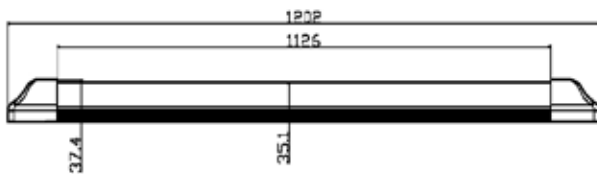
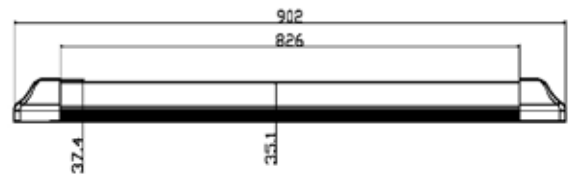
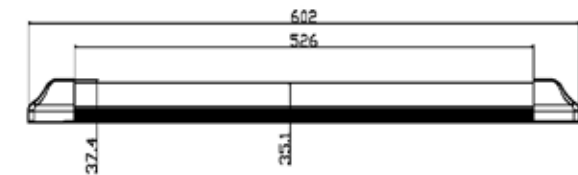
The latest LED batten lighting system broke through the restrict of traditional lighting system, new design bring us free connection and efficient installation. It saves around 40% time during the installation process. Linkable , water-proof, dust-proof and anti-corrosion. Operating temperature -20 ~ +45 Celsius degrees.

Application

Parking lot, Kitchen, bathroom, lift, Office, Supermarket,, ...

Product features

Housing made of high quality PC and PC cover. White colour.High light transmittance PC diffuser specially designed for LED light source creating smooth and uniform lighting distribution.High efficiency SMD LED up to 80m/W and CRI>80. Protection Class II. Internal IC driver with high power factor >0.90. Beam angle 120°. Non-Dimmable .50,000 hrs life span, 3 years warranty.IP rating IP20. NON-LINKABLE



TECHNICAL DATA	URSA_20	URSA_30	URSA_40	URSA_60
Power	20W	30W	40W	60W
Input Voltage	V100-240AC			
Supply frequency	50hz			
Power factor	>0.9			
Luminous flux	~1700lm	~2550lm	~3400lm	~5100lm
Luminous efficacy	>80lm/W			
Colour Temperature	3000K, 4000K, 6500K			
CRI	Ra>80			
Beam Angle	120°			
LED source	SMD2835			
Dimension (mm)	L574*W83*H37mm	L874*W83*H37mm	L1174*W83*H37mm	L1474*W83*H37mm

Materials may be modified, developed or updated with out prior notification to improve our product quality

LED batten light

NL-HRUS Batten light



Product specification summary

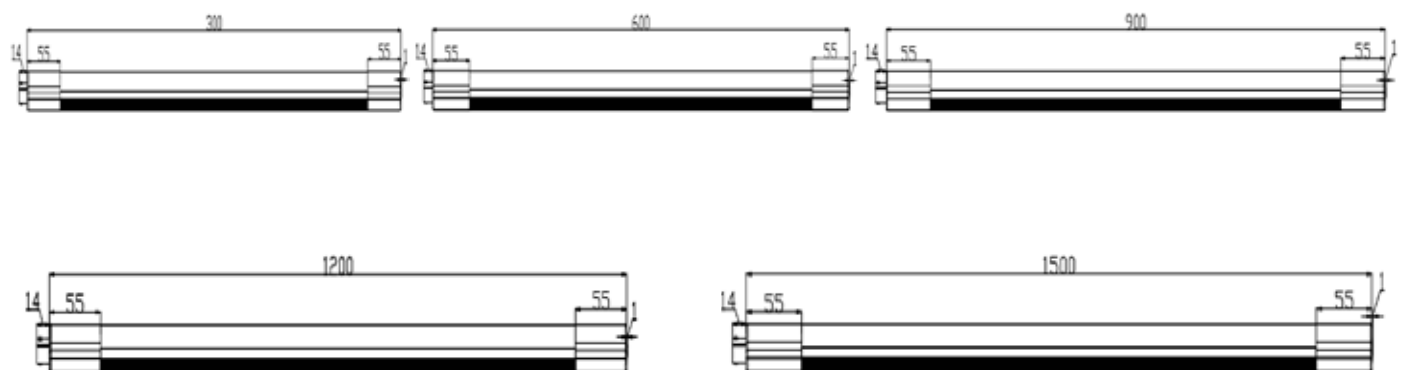
The latest LED batten lighting system broke through the restrict of traditional lighting system, new design bring us free connection and efficient installation. It saves around 40% time during the installation process. Linkable, water-proof, dust-proof and anti-corrosion. Operating temperature -20 ~ +45 Celsius degrees.

Application

Parking lot, Kitchen, bathroom, lift, Office, Supermarket,, ...

Product features

Housing made of high quality PC and PC cover. White colour. High light transmittance PC diffuser specially designed for LED light source creating smooth and uniform lighting distribution. High efficiency SMD LED up to 80m/W and CRI>80. Protection Class II. Internal IC driver with high power factor >0.90. Beam angle 120°. Non-Dimmable .50,000 hrs life span, 3 years warranty. IP rating IP20. CONNECTABLE



TECHNICAL DATA	HRUS_9	HRUS_18	HRUS_27	HRUS_36	HRUS_45
Power	9W	18W	27W	36W	45W
Input Voltage	V100-240AC				
Supply frequency	50hz				
Power factor	>0.9				
Luminous flux	~792lm	~1580lm	~2370lm	~3170lm	~3960lm
Luminous efficacy	>80lm/W				
Colour Temperature	3000K, 4000K, 6500K				
CRI	Ra>80				
Beam Angle	120°				
LED source	SMD2835				
Dimension (mm)	L312*W75*H24mm	L612*W75*H24mm	L912*W75*H24mm	L1212*W75*H24	L1512*W75*24mm

Materials may be modified, developed or updated with out prior notification to improve our product quality

LED batten light

NL-BITTO Batten light



Product specification summary

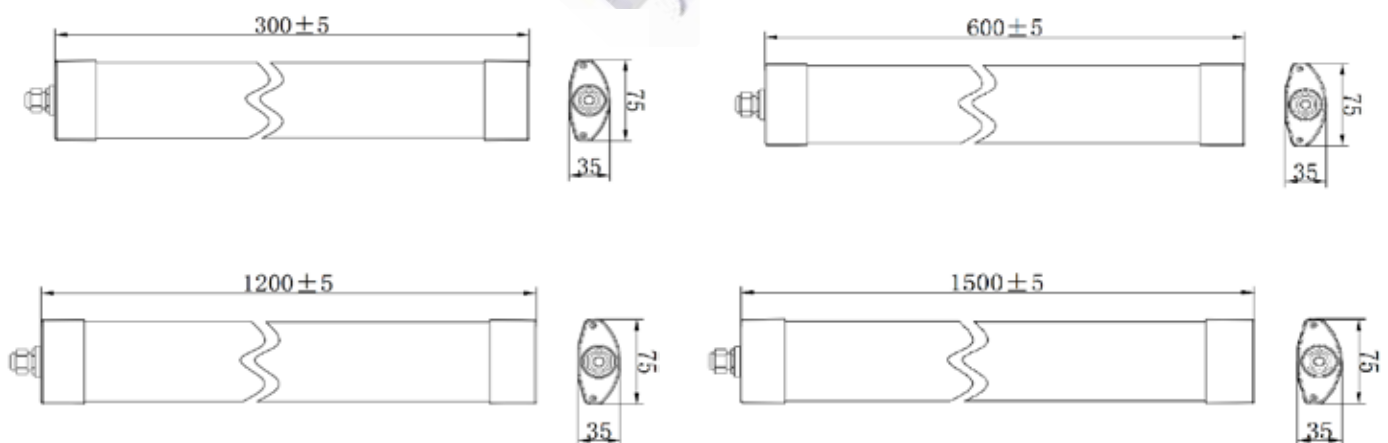
The latest LED batten lighting system broke through the restrict of traditional lighting system, new design bring us free connection and efficient installation. It saves around 40% time during the installation process. Linkable , water-proof, dust-proof and anti-corrosion. Operating temperature -20 ~ +45 Celsius degrees.

Application

Parking lot, Kitchen, bathroom, lift, Office, Supermarket,, ...

Product features

Housing made of high quality PC and PC cover. White colour.High light transmittance PC diffuser specially designed for LED light source creating smooth and uniform lighting distribution.High efficiency SMD LED up to 80m/W and CRI>80. Protection Class II. Internal IC driver with high power factor >0.90. Beam angle 120°. Non-Dimmable .50,000 hrs life span, 3 years warranty.IP rating IP65. NON-LINKABLE



TECHNICAL DATA	BITTO9	BITTO18	BITTO36W	BITTO45
Power	9W	18W	36W	45W
Input Voltage	V100-240AC			
Supply frequency	50hz			
Power factor	>0.9			
Luminous flux	~810lm	~1620lm	~3240lm	~4050lm
Luminous efficacy	>80lm/W			
Colour Temperature	3000K, 4000K, 6500K			
CRI	Ra>80			
Beam Angle	120°			
LED source	SMD2835			
Dimension (mm)	L340*W75*H35mm	L640*W75*H35mm	L1240*W75*H35mm	L*1540W75*H35mm

Materials may be modified, developed or updated with out prior notification to improve our product quality

LED batten light