

Our OUTDOOR products are made from Solid passivated Anodized aluminum , aluminum and die-casting depending on references. and trim stainless steel.

Led Driver Khün, Xz, Osram, Philips.

Input Voltage Multivoltage and 220-240VAC/50-60Hz

SPIKE SPOT LIGHT SERIES



SS2839 3W, 1W



SS4277 5W



SS4490 8W



SS61100 15W



SS61115 12W



SS61133 12W



SS85145 25W



SS4277 RGB 9W



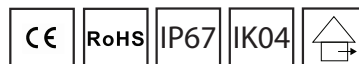
SS VINTO75
SS VINTO58



COMMERCIAL AND RESIDENTIAL OUTDOOR, Spike Spot Light series, reference SS4490 8W, a perfect spike spot light for outdoor illumination .



SS2839



GENERAL DATA

Power	3W and 1W as an option
Led type	1pcs 3W CREE XPE
Lumens	90~100lm
CCT	2700K, 3000K, 4000K, 6000K
CRI	>80
Beam angle	15°, 25°, 38°, 45°, 60°
Dimension	Ø28*H39mm
Cut out	-
Net weight	0.097kg
Warranty	3 years

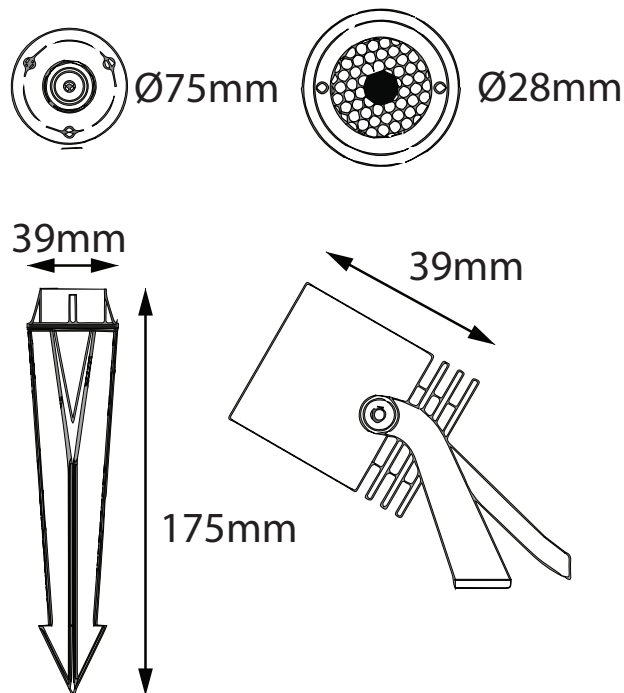
MAIN DATA

IP rating	IP67
IK rating	IK04
Housing material	Aluminium CNC machined
Protection finishing	20~25µm thickness anodized film for housing
Trim	Aluminium
Glass	Tempered Glass T=4mm
Loading capacity	220 kgs
Cable gland	PG7 IP67
Gasket	O-ring PMQ silicone seal
Accessories	PVC spike as standard, and round base for wall mounting as an option

ELECTRICAL DATA

Input voltage	DC12V/DC24V
Insulation class	Class III
Cable	1 PVC cable 1.5M H05RN-F 2x0.75mm square
Driver	Low voltage constant current output, excluding the transformer

SS2839





SS4277



GENERAL DATA

Power	5W
Led type	1 pcs 5W COB LED
Lumens	350~400lm
CCT	2700K, 3000K, 4000K, 6000K
CRI	>80
Beam angle	15°, 25°
Dimension	Ø42*H77mm
Cut out	-
Net weight	0.29kg
Warranty	3 years

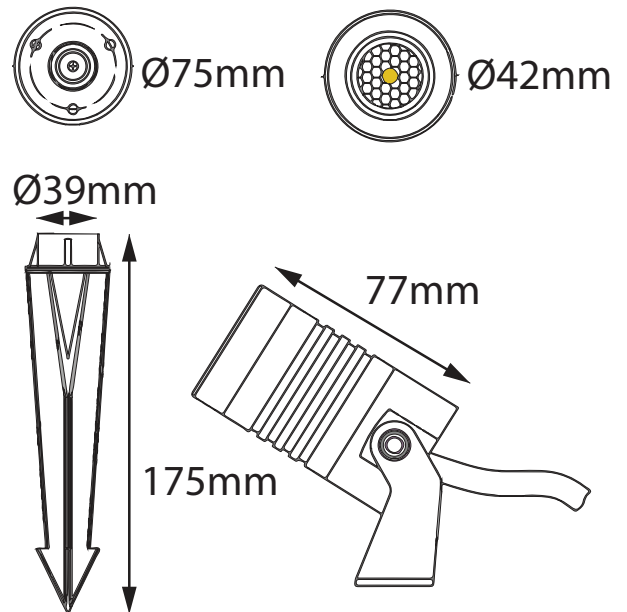
MAIN DATA

IP rating	IP67
IK rating	IK04
Housing material	Aluminium CNC machined
Protection finishing	20~25µm thickness anodized film for housing. Dark grey standard, silver color as an option.
Trim	Aluminium
Glass	Tempered Glass T=3mm
Loading capacity	220 kgs
Cable gland	PG7 IP67
Gasket	O-ring PMQ silicone seal
Accessories	PVC spike as standard, and round base for wall mounting as an option

ELECTRICAL DATA

Input voltage	AC95-265V and DC12V/DC24V as an option
Insulation class	Class I
Cable	1 PC rubber cable 1.5M H05RN-F 3x0.75mm square
Driver	Built-in high voltage constant current driver with transformer

SS4277



SPIKE SPOT LIGHT SERIES



SS4490



GENERAL DATA

Power	8W
Led type	1pcs 8W COB LED
Lumens	560~640lm
CCT	2700K, 3000K, 4000K, 6000K
CRI	>80
Beam angle	5°, 25°
Dimension	Ø44*H90mm
Cut out	-
Net weight	0.39kg
Warranty	3 years

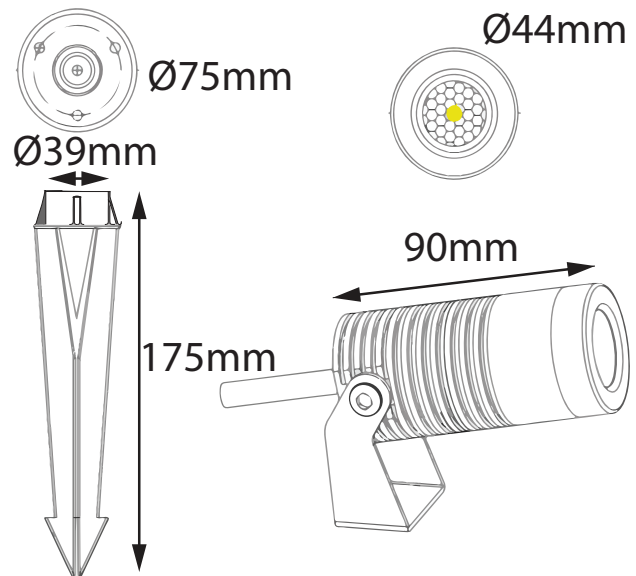
MAIN DATA

IP rating	IP67
IK rating	IK04
Housing material	Aluminium CNC machined
Protection finishing	20~25µm thickness anodized film for housing. Dark grey standard, silver color as an option.
Trim	Aluminium
Glass	Tempered Glass T=3mm
Loading capacity	220 kgs
Cable gland	PG7 IP67
Gasket	O-ring PMQ silicone seal
Accessories	PVC spike as standard, and round base for wall mounting as an option

ELECTRICAL DATA

Input voltage AC95-265V and DC12V/DC24V as an option
 Insulation class Class I
 Cable 1 PC rubber cable 1.5M H05RN-F 3x0.75mm square
 Driver Built-in high voltage constant current driver with transformer

SS4490



SPIKE SPOT LIGHT SERIES

lighting product designers and mold management





SS61100



GENERAL DATA

Power	15W
Led type	1pcs 15W COB LED
Lumens	1200~1350lm
CCT	2700K, 3000K, 4000K, 6000K
CRI	>80
Beam angle	25°, 38°, 60°
Dimension	Ø61*H100mm
Cut out	-
Net weight	0.58kg
Warranty	3 years

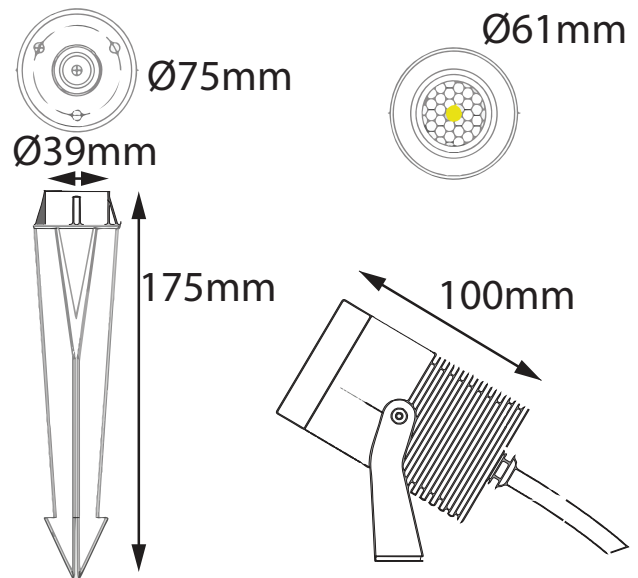
MAIN DATA

IP rating	IP67
IK rating	IK04
Housing material	Aluminium CNC machined
Protection finishing	20~25µm thickness anodized film for housing. Dark grey standard, silver color as an option.
Trim	Aluminium
Glass	Tempered Glass T=3mm
Loading capacity	220 kgs
Cable gland	PG7 IP67
Gasket	O-ring PMQ silicone seal
Accessories	PVC spike as standard, and round base for wall mounting as an option

ELECTRICAL DATA

Input voltage	AC95-265V
Insulation class	Class I
Cable	1 PC rubber cable 1.5M H05RN-F 3x0.75mm square
Driver	Built-in high voltage constant current driver with transformer

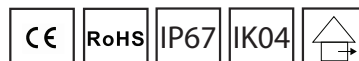
SS61100



SPIKE SPOT LIGHT SERIES



SS61115



GENERAL DATA

Power	12W
Led type	1pcs 12W CREE XHP35 LED
Lumens	960~1000lm
CCT	2700K, 3000K, 4000K, 6000K
CRI	>80
Beam angle	5°
Dimension	Ø61*H115mm
Cut out	-
Net weight	0.58kg
Warranty	3 years

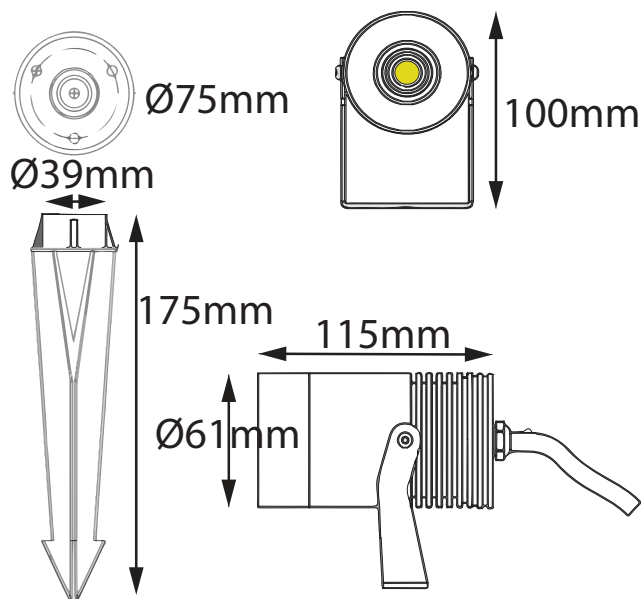
MAIN DATA

IP rating	IP67
IK rating	IK04
Housing material	Aluminium CNC machined
Protection finishing	20~25µm thickness anodized film for housing. Dark grey standard, silver color as an option.
Trim	Aluminium
Glass	Tempered Glass T=3mm
Loading capacity	220 kgs
Cable gland	PG7 IP67
Gasket	O-ring PMQ silicone seal
Accessories	PVC spike as standard, and round base for wall mounting as an option

ELECTRICAL DATA

Input voltage	AC95-265V
Insulation class	Class I
Cable	1 PC rubber cable 1.5M H05RN-F 3x0.75mm square
Driver	Built-in high voltage constant current driver with transformer

SS61115





SS61133



GENERAL DATA

Power	12W
Led type	1pcs 12W CREE XHP35 LED
Lumens	960~1000lm
CCT	2700K, 3000K, 4000K, 6000K
CRI	>80
Beam angle	Zoom 10° to 60° adjustable
Dimension	Ø61*H133mm
Cut out	-
Net weight	0.62kg
Warranty	3 years

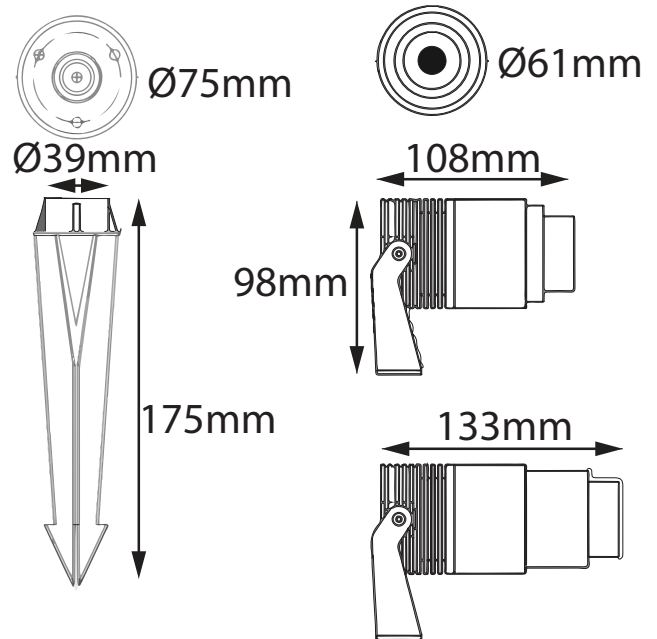
MAIN DATA

IP rating	IP67
IK rating	IK04
Housing material	Aluminium CNC machined
Protection finishing	20~25µm thickness anodized film for housing. Dark grey standard, silver color as an option.
Trim	Aluminium
Glass	Tempered Glass T=3mm
Loading capacity	220 kgs
Cable gland	PG7 IP67
Gasket	O-ring PMQ silicone seal
Accessories	PVC spike as standard, and round base for wall mounting as an option

ELECTRICAL DATA

Input voltage	AC95-265V
Insulation class	Class I
Cable	1 PC rubber cable 1.5M H05RN-F 3x0.75mm square
Driver	Built-in high voltage constant current driver with transformer

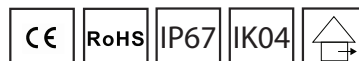
SS61133



SPIKE SPOT LIGHT SERIES



SS85145



GENERAL DATA

Power	25W
Led type	1pcs 25W COB LED
Lumens	2100~2300lm
CCT	2700K, 3000K, 4000K, 6000K
CRI	>80
Beam angle	24°, 38°, 60°
Dimension	Ø85*H145mm
Cut out	-
Net weight	1.37kg
Warranty	3 years

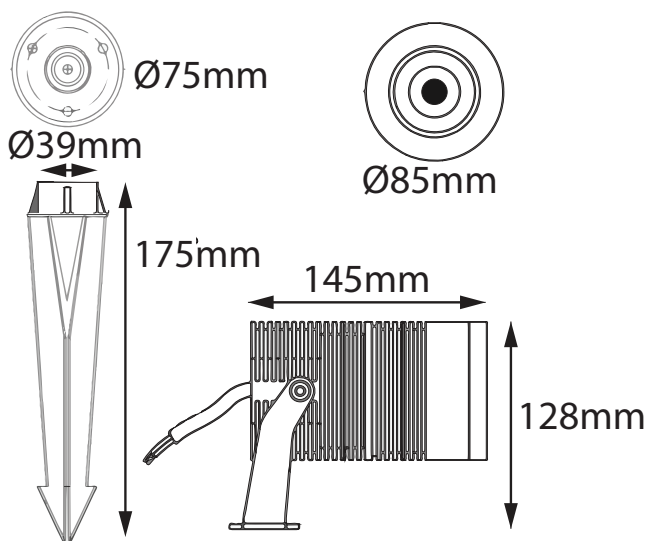
MAIN DATA

IP rating	IP67
IK rating	IK04
Housing material	Aluminium CNC machined
Protection finishing	20~25µm thickness anodized film for housing. Dark grey standard, silver color as an option.
Trim	Aluminium
Glass	Tempered Glass T=4mm
Loading capacity	220 kgs
Cable gland	PG7 IP67
Gasket	O-ring PMQ silicone seal
Accessories	PVC spike as standard, and round base for wall mounting as an option

ELECTRICAL DATA

Input voltage	AC100-265V as standard DC24V as an option
Insulation class	Class I
Cable	1 PC rubber cable 1.5M H05RN-F 3x0.75mm square
Driver	Built-in high voltage constant current driver with transformer

SS85145





SS4277RGB



GENERAL DATA

Power	9W
Led type	1 pcs 9W RGB COB LED
Lumens	300lm
CCT	RGB
CRI	>70
Beam angle	25°, and 38° as an option
Dimension	Ø42*H77mm
Cut out	-
Net weight	0.38kg
Warranty	3 years

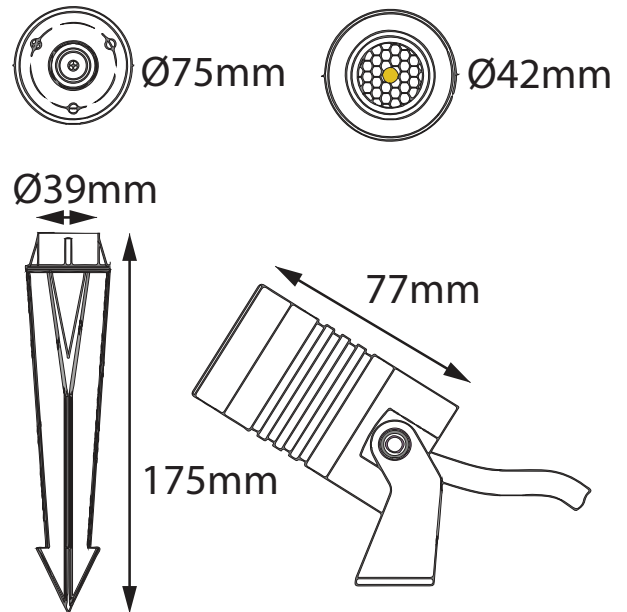
MAIN DATA

IP rating	IP67
IK rating	IK04
Housing material	Aluminium CNC machined
Protection finishing	20~25µm thickness anodized film for housing. Dark grey standard, silver color as an option.
Trim	Aluminium
Glass	Tempered Glass T=3mm
Loading capacity	220 kgs
Cable gland	PG7 IP67
Gasket	O-ring PMQ silicone seal
Accessories	PVC spike as standard, and round base for wall mounting as an option

ELECTRICAL DATA

Input voltage	DC24V
Insulation class	Class III
Cable	1 PC rubber cable 1.5M H05RN-F 4x0.75mm square
Driver	low voltage constant current output

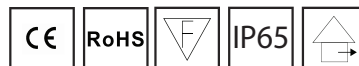
SS4277RGB



SPIKE SPOT LIGHT SERIES



VINT075 and VINT058

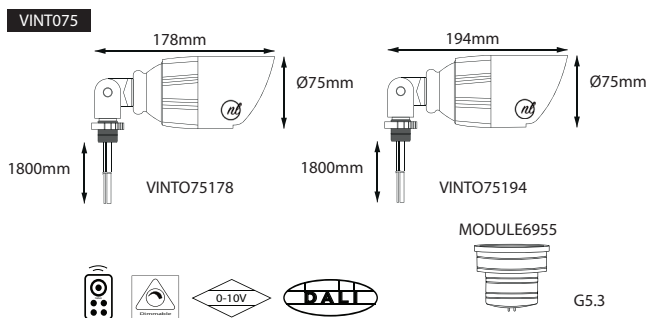


GENERAL DATA

Power	2W to 12W please check module specifications
Led type	CREE Led
Lumens	from 200lm~1000lm check modules
CCT	3000K, 4000K, 5000K
CRI	>70 and >80
Beam angle	15°, 30°, 45°, 60°
Dimension	Ø75*L178/194mm and Ø58*L163/179mm
Cut out	-
Net weight	10kg and 15Kg
Warranty	2 years

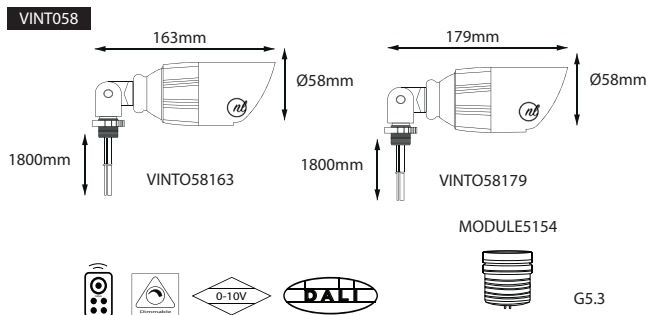
MAIN DATA

IP rating	IP65
IK rating	IK01
Housing material	CNC machined
Cable gland	PG7 IP67
Gasket	O-ring PMQ silicone seal
Accessories	PVC spike as standard, and claw base for wall mounting as an option



ELECTRICAL DATA

Input voltage	12V AC/DC
Insulation class	Class III
Cable	1 PC rubber cable 1.5M H05RN-F 2x0.75mm square



ACCESSORIES

Arrow Brass Spike



Brass Spike



Plastic Spike



Brass Claw



VINTO SERIE MODULES

MODULE 5154



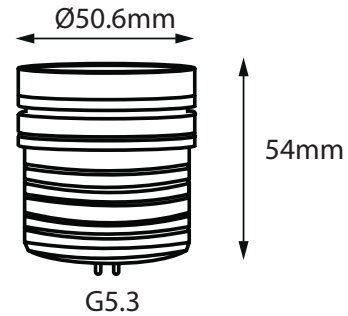
GENERAL DATA

Power	2W, 4W, 6W, 9W
Led type	SMD3535 Led
Lumens	~200lm, ~400lm, ~580lm, ~800lm
CCT	3000K, 4000K, 5000K
CRI	>70 and >80
Beam angle	15°, 30°, 45°, 60°
Dimension	Ø50.6*H54mm
Optional	CREE XBD RGBW
Warranty	2 years

ELECTRICAL DATA

Input voltage 12V AC/DC
 Insulation class Class III
 Cable 1 PC rubber cable 1.5M H05RN-F 2x0.75mm square

MODULE5154



MODULE 6955



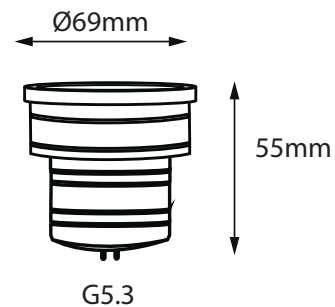
GENERAL DATA

Power	2W, 4W, 6W, 9W, 12W
Led type	SMD3535 Led
Lumens	~200lm, ~400lm, ~580lm, ~800lm, ~950lm
CCT	3000K, 4000K, 5000K
CRI	>70 and >80
Beam angle	15°, 30°, 45°, 60°
Dimension	Ø69*H55mm
Optional	CREE XBD RGBW
Warranty	2 years

ELECTRICAL DATA

Input voltage 12V AC/DC
 Insulation class Class III
 Cable 1 PC rubber cable 1.5M H05RN-F 2x0.75mm square

MODULE 6955



Ingress Protection (IP)

The IP Code (or International Protection Rating, sometimes also interpreted as Ingress Protection Rating*) consists of the letters IP followed by two digits and an optional letter. As defined in international standard IEC 60529, it classifies the degrees of protection provided against the intrusion of solid objects (including body parts like hands and fingers), dust, accidental contact, and water in electrical enclosures.

The digits (characteristic numerals) indicate conformity with the conditions summarized in the tables below.

First Digit: Solids

The first digit indicates the level of protection that the enclosure provides against access to hazardous parts (e.g., electrical conductors, moving parts) and the ingress of solid foreign objects.

Level	Object size protected against	Effective against
0	Not protected	No protection against contact and ingress of objects
1	>50mm	Any large surface of the body, such as the back of the hand, but no protection against deliberate contact with a body part.
2	>12.5mm	Fingers or similar objects.
3	>2.5mm	Tools, thick wires, etc.
4	>1mm	Most wires, screws, etc.
5	Dust Protected	Ingress of dust is not entirely prevented, but it must not enter in sufficient quantity to interfere with the satisfactory operation of the equipment; complete protection against contact.
6	Dust Tight	No ingress of dust; complete protection against contact.

Second Digit: Liquids

Protection of the equipment inside the enclosure against harmful ingress of water.

Level	Object size protected against	Effective against
0	Not protected	
1	Dripping water	Dripping water (vertically falling drops) shall have no harmful effect.
2	Dripping water when tilted up to 15°	Vertically dripping water shall have no harmful effect when the enclosure is tilted at an angle up to 15° from its normal position.
3	Spraying water	Water falling as a spray at any angle up to 60° from the vertical shall have no harmful effect.
4	Splashing water	Water splashing against the enclosure from any direction shall have no harmful effect.
5	Water jets	Water projected by a nozzle (6.3mm) against enclosure from any direction shall have no harmful effects.
6	Powerful water jets	Water projected in powerful jets (12.5mm nozzle) against the enclosure from any direction shall have no harmful effects.
7	Immersion up to 1m	Ingress of water in harmful quantity shall not be possible when the enclosure is immersed in water under defined conditions of pressure and time (up to 1 m of submersion).
8	Immersion beyond 1m	The equipment is suitable for continuous immersion in water under conditions which shall be specified by the manufacturer. Normally, this will mean that the equipment is hermetically sealed. However, with certain types of equipment, it can mean that water can enter but only in such a manner that it produces no harmful effects.



www.nelux.com.hk

NELUX HONG KONG INTERNATIONAL,LTD

Head Office 18, Harbour Road , Central Plaza, 32/F, Office 3208, Wanchai, Hong Kong

Assembling workhouse 22 Kin Fat Street, Sun Hing Industrial Building, 11th Floor , Unit 14

Telephone +852 28600042 Fax +852 28600066

www.nelux.com.hk

emails

sales@nelux.com.hk

sales01@nelux.com.hk

sales02@nelux.com.hk